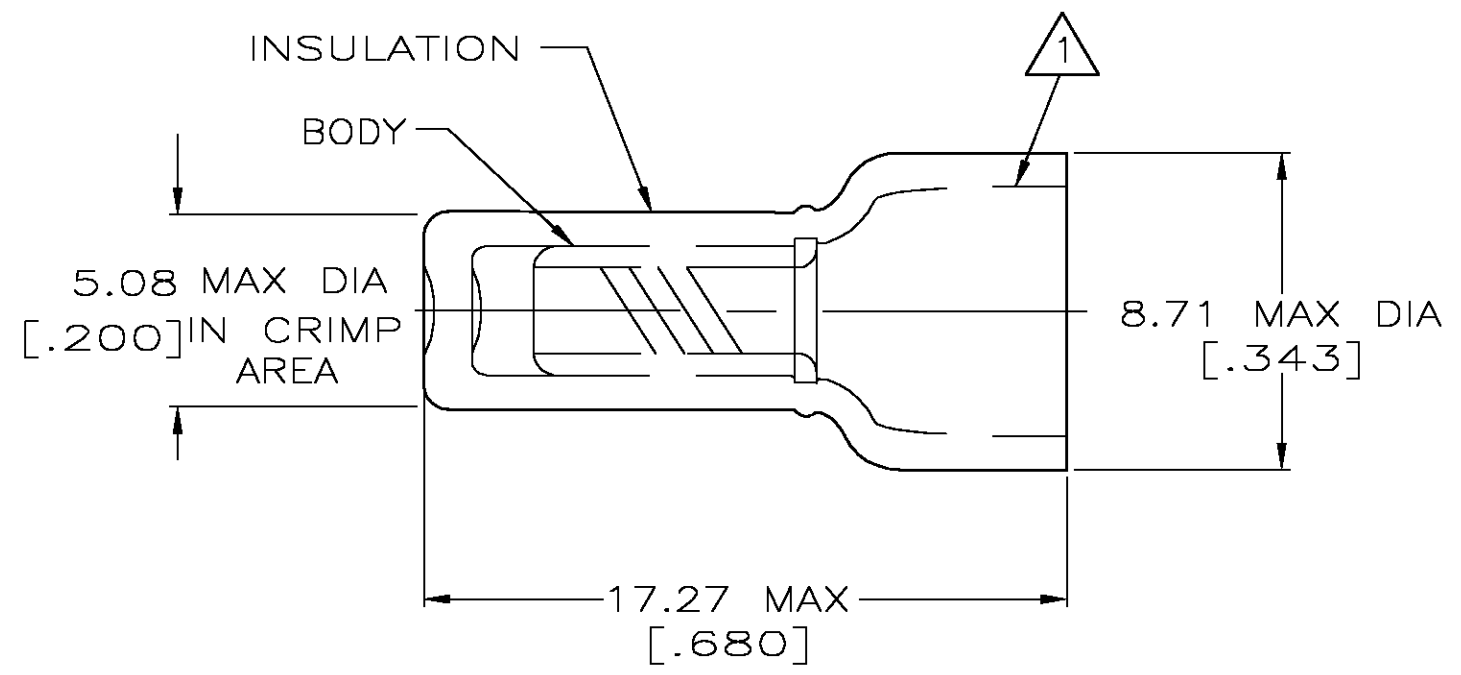
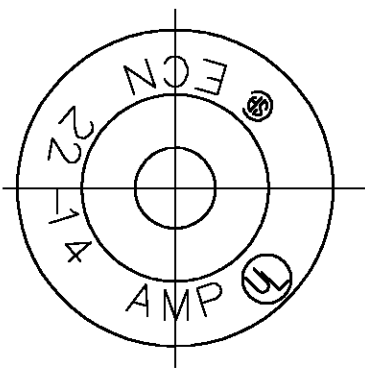


THIS DRAWING IS UNPUBLISHED. RELEASED FOR PUBLICATION
 © COPYRIGHT BY TYCO ELECTRONICS CORPORATION. ALL RIGHTS RESERVED.

| LOC | DIST | REVISIONS | | | | | |
|-----|------|-----------|-----|----------------------|---------|-----|------|
| G | 14 | P | LTR | DESCRIPTION | DATE | DWN | APVD |
| | | | AJ | REV PER 0G3A-0486-04 | 23JUN04 | JR | TM |

| | | |
|--------------------------------|--------------------------------|--------------------------------|
| AMP WIRE RANGE | Listed FILE E13288 | LR7189 Certified |
| 22-14 AWG SOLID OR STRANDED | 22-14 AWG SOLID OR STRANDED | 22-14 AWG SOLID OR STRANDED |



- △1 FOR 6.35 [.250] MAX WIRE INSULATION DIA
- △2 SUPERSEDED BY 35115
- △3 SUPERSEDED BY 8-35115-5
- △4 MATERIAL, BODY, COPPER INSULATION, NYLON
- △5 FINISH, BODY, TIN PLATE ASTM B545 INSULATION, COLOR NATURAL

| 25 | LOOSE PC,BAG | 8-35115-5 |
|-------|--------------|--------------|
| 5 | LOOSE PC,BLS | 8-35115-4 △3 |
| 100 | LOOSE PC,BOX | 8-35115-1 |
| 10000 | SPECIAL PKG | 1-35115-2 △2 |
| 2500 | TAPE MOUNTED | 1-35115-0 |
| 1000 | LOOSE PC,BOX | 35115 |
| QTY | DESCRIPTION | PART NO |

| | | | | | | | |
|--|--|---|--|--|----------------------------------|---|--------------------|
| AMP INCORPORATED CUSTOMER SERVICE SYSTEMS | | MAX RECOMMENDED OPERATING TEMPERATURE: 105° C MAX | THIS DRAWING IS A CONTROLLED DOCUMENT. | | DWN JR RUTH 23MAR04 | Tyco Electronics Corporation Harrisburg, Pa 17105-3608 | |
| FOR ADDITIONAL PRODUCT INFORMATION OR COPIES OF DRAWINGS AND TECHNICAL DOCUMENTS | PRODUCT INFORMATION CENTER 1-800-522-6752 | VOLTAGE RATING: 300V MAX | DIMENSIONS: INCHES | TOLERANCES UNLESS OTHERWISE SPECIFIED: | CHK T MICHIELUTTI 23MAR04 | NAME SPLICE, WIRE, CLOSED END | |
| FOR APPLICATION TOOLING INFORMATION | TOOLING ASSISTANCE CENTER 1-800-722-1111 | CIRCULAR MIL AREA: 0.26-2.62mm² [509-5,180] SOLID OR STRANDED | | 0 PLC ± - 1 PLC ± - 2 PLC ± 0.20[.008] 3 PLC ± - 4 PLC ± - ANGLES ± - | APVD T MICHIELUTTI 23MAR04 | PRODUCT SPEC | SIZE A3 |
| FOR ORDER ENTRY | 1-800-526-5142 | THIS DRAWING IS A CONTROLLED DOCUMENT FOR AMP INCORPORATED. IT IS SUBJECT TO CHANGE AND THE CONTROLLING ENGINEERING ORGANIZATION SHOULD BE CONTACTED FOR THE LATEST REVISION. | MATERIAL - △4 | FINISH - △5 | APPLICATION SPEC | APPLICATION SPEC | CAGE CODE 00779 |
| | | | | | WEIGHT - | DRAWING NO C-35115 | RESTRICTED TO - |
| | | | | | CUSTOMER DRAWING | | SCALE 2:1 |
| | | | | | | | SHEET 1 OF 1 |
| | | | | | | | REV AJ |